



合肥新沪屏蔽泵有限公司
HEFEI XINHU CANNED MOTOR PUMP CO.,LTD

公司地址(Add): 安徽省合肥市高新区杨林路1号
No.1 Yanglin Road, Hi-tech Development Zone, Hefei, Anhui, P.R.China
网址(Http): www.shinhuopump.com

国际贸易 International 企业在线 Company Online
电话(Tel): +86-551-62379803 阿里巴巴: <http://shxh88.1688.com/>
传真(Fax): +86-551-62379801 Alibaba: <http://shxinhu.en.alibaba.com/>

注: 本公司保留对该样本的解释权和修改权 (Our company has the finally right for the instruction of explanation and amendment.)

采用生态纸印刷
Adopt ecotypic paper to print
2020年12月12日第二版第一次印刷

Shinhoo®新沪
CANNED MOTOR PUMP



Wall Hung Gas Boiler Pump

合肥新沪屏蔽泵有限公司
HEFEI XINHU CANNED MOTOR PUMP CO.,LTD

公司简介 Company Profile

合肥新沪屏蔽泵有限公司是浙江大元泵业股份有限公司（上交所：603757）的全资子公司，专注于屏蔽泵的研发和制造。

2007年，为满足日益增长的市场需求，新沪公司在中国安徽省合肥市国家级高新区斥资3亿元人民币开始兴建占地10万平方米的大型生产基地，并于2009年年底正式投产。

新沪公司严格按照ISO9001:2015质量管理体系、ISO14001:2015环境管理体系、OHSAS18001:2007职业健康安全管理体系标准建立起研发、生产、销售和服务体系。依据不同国家和地区的法规，相关产品相继通过了CCC、GS、UL、CE等多项认证以及RoHS、REACH、EEI等多项检测，以确保产品安全、稳定、可靠、耐用，并符合当地的法律法规要求。物力的保障、制度的完善、人才的汇聚，奠定了新沪公司的核心竞争力和可持续发展空间。

新沪公司作为全国泵标准化技术委员会委员单位、全国旋转电机标准化技术委员会起重冶金和屏蔽电机标准化分技术委员会委员单位，参与起草了一系列屏蔽泵和屏蔽电机标准。新沪矢志不渝的坚持以客户需求为导向的产品研发和质量提升，为不同流体介质无泄漏输送的一般性和特殊性要求提供专业的解决方案。新沪产品远销欧美亚多个国家和地区，广泛应用于化工、石化、石油精炼、纺织、机车、中央空调、航空航天、核电、空调系统冷暖循环供水、建筑、环保、暖通、新能源等诸多领域。可靠的产品品质，贴心的售后服务，为新沪赢得了广泛美誉。

新沪公司愿与您诚信携手、共创辉煌。



Introduction of Hefei Xinhua Canned Motor Pump Co., Ltd. (Shinhoo)

As a wholly-owned subsidiary of Zhejiang Dayuan Pumps Industrial Co., Ltd. (Shanghai Stock Exchange stock code: 603757), Shinhoo is specialized in canned motor pump research, design and manufacturing.

In order to satisfy the rising market demand, in 2007 our large production base was constructed with the total investment of 300 million Chinese Yuan in National Hi-Tech Developing Zone in Hefei, Anhui Province, China. In the end of 2009, our new plant with the floor area of 100,000 Square meters started running.

Based on the standard of ISO 9001:2015 Quality management system, ISO14001:2015 Environment management system and OHSAS18001:2007 Occupation Health and Safety Management System, Shinhoo established a complete set of design, producing, marketing and service system. As required by different countries and areas, our related products successfully obtained certifications such as CCC, GS, UL and CE as well as passed required tests such as RoHS, REACH and EEI. All of these ensured the safety, stability, reliability, durability and legality of our products in the market. We have formed our own core competitiveness as well as the space for sustainable development with sufficient material resources, reinforced regulation system and high tech talents we gathered.

As a member units of national pump standardization technical committee as well as Crane, Metallurgical Motors and Canned Motors standardization technical committee of national electric rotating machinery standardization technical committee, we participated drafting work of a series of standards regarding canned motor and canned motor pumps. We are committed to product research and development as well as quality promotion with orientation of customers' requirement. We offer professional solutions for general and special requirements regarding non-leakages delivery of various kinds for fluid. Our products are sold abroad to many countries in America, Europe, Asia and other areas being widely used in chemical industry, petrification, petroleum refining, textile industry, locomotive, central air conditioning, aerospace, nuclear power, air conditioning system cooling and heating circulation, construction, environment protection, ventilation and new energy. With reliable quality and attentive service, we have gained a high reputation in the market.

We sincerely hope to cooperate with you for a splendid future together.

产品介绍 Product Introduction

新沪燃气壁挂炉泵是利用异步电机在230V/50Hz的交流电压下运转湿转子结构（轴承通过泵内液体润滑）。水泵安装在燃气壁挂炉的水力模块上应用于加热系统。

Shinhoo wall hung gas boiler pump works with wet rotor structure by using asynchronous motor and power supply of AC230V/50Hz. The pump assembled on the hydraulic module of wall hung gas boiler is applied to heating system.

主要零部件材质表 Bill of Main Material		
No.	零部件名称 Parts Name	材质 Material
1	泵体 Pump Housing	工程塑料 Engineering Plastic
2	叶轮 Impeller	工程塑料 Engineering Plastic
3	轴承 Bearing	陶瓷 Ceramic
4	推力轴承 Thrust Bearing	浸渍石墨 / 碳化硅 Impregnated Graphite/Carborundum
5	轴承座 Bearing Base	不锈钢 304 Stainless Steel
6	定子屏蔽套 Shield Cover	不锈钢 304 Stainless Steel
7	衬垫 Gasket	橡胶 Rubber EPDM

产品特点 Product Feature

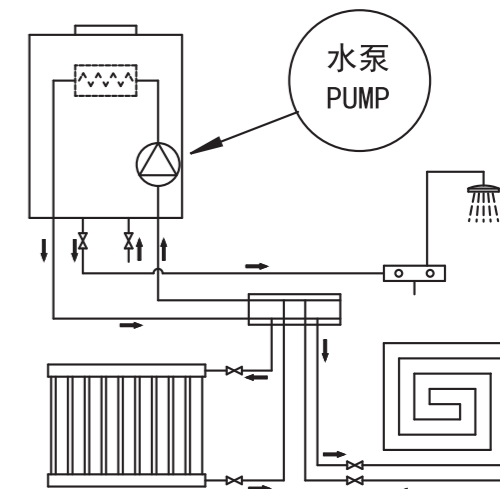
1. 本产品主要由定子、转子、屏蔽套、排气阀等部件组成。
2. 密封性：不使用机械密封，电机的定子、转子以不锈钢套屏蔽密封，整体结构采用两个耐热橡胶垫圈密封，无泄漏。
3. 润滑和冷却：本产品采用内循环方式，由泵送的液体作为轴承润滑剂并冷却电机。
4. 电机：电机绝缘等级H级，内置热保护器。电机有单一转速和三种转速两种系列。
5. 防护等级：IP42
6. 排气：根据空气在系统中向上运动，采用浮球式结构原理。排气阀集成系统在加热系统注液和运行期间可自动地将气体从水中分离出来。
7. 噪音：在锅炉中水泵以额定流量运转时的噪音≤42分贝。

1. Shinhoo wall hung gas boiler pump is composed of stator, rotor, shield cover, vent valve and so on.
2. Sealing: stator and rotor sealed up with stainless steel shield cover, integral structure sealed up with heat-resisting rubber washer, rather than mechanical seal. This ensures no leakage.
3. Lubrication and cooling: use internal circulation, lubricated and cooled by circulated liquid.
4. Motor: Insulation Class is H. Internal thermal protector. Single speed and three speeds are available.
5. Protection Class: IP 42.

6. Venting: based on floating ball principle, an integrated air venting system can exhaust the air out of water automatically during liquid injecting and running.
7. Noise: The noise of pump that works in a boiler with rated flow is less than 42 dB(A).

功能及应用 Function & Application

- 应用于燃气壁挂炉系统。
Apply to wall hung gas boiler system.
- 电能转换为水压 Transfer the electrical energy to hydraulic pressure.
- 传导热水 Transfer the heating water.
- 把热水系统中的气体排除 Exhaust the air from HW system.



使用条件 Operation Condition

- 电源：电压230V、频率50Hz的单相交流电。

Power: AC230V, 50Hz.

水泵启动电压和最低运行电压（转速降低）:175V.

The minimum start-up and operation voltage: 175V.

样本中所有的型号可根据用户需求设计制造不同的电压、频率的产品，样本中的曲线及性能参数仅代表230V/50Hz的产品性能。

Different voltage and frequency is available according to customer's requirement . All performance curves in this catalogue are based on pumps with power supply of AC 230V, 50Hz.

- 最大系统压力：3bar

The max. system pressure: 3 bar.

为避免气蚀噪音对泵轴承造成的损坏，在泵进口处应维持以下最小压力：1bar

In order to avoid cavitation damage to the pump bearing, the minimum inlet pressure should be kept as below: 1bar.

运行条件 Operational condition

环境温度 Ambient temperature: 0°C- 40°C.

环境湿度 Ambient humidity: < 95%.

循环液体温度 Liquid temperature: 20-95°C.

环境温度必须始终低于液体温度，否则在定子腔体内会出现冷凝液体。

Ambient temperature must be lower than liquid temperature, in order to avoid condensate water produced in the interior of stator.

输送液体: 稀薄、清洁、非腐蚀性和非易爆的液体，并不含任何固体颗粒、纤维或矿物油，泵绝对不得用于输送如柴油和汽油之类的易燃液体。

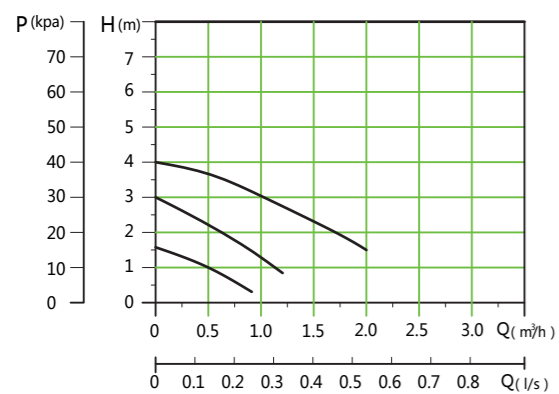
Transmission fluid: Thin, clean, non-corrosive and non-explosive liquids, without any particle, fiber or mineral oil.

Pump can not be used for transferring flammable liquids such as diesel, petrol and so on.

干转: 水泵轴承采用水润滑，无水状态下运转不得超过10s。

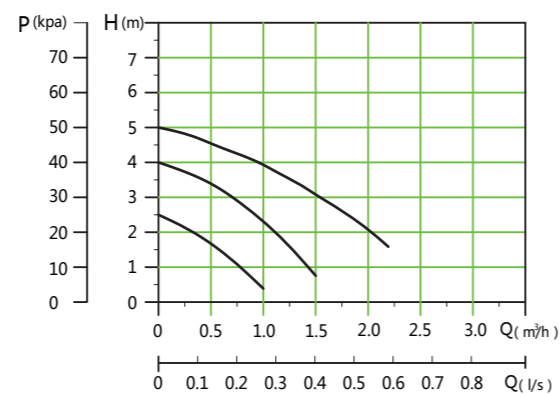
Dry running: Pump is lubricated by water, dry running must be no more than 10s.

产品性能曲线图 Performance Curve



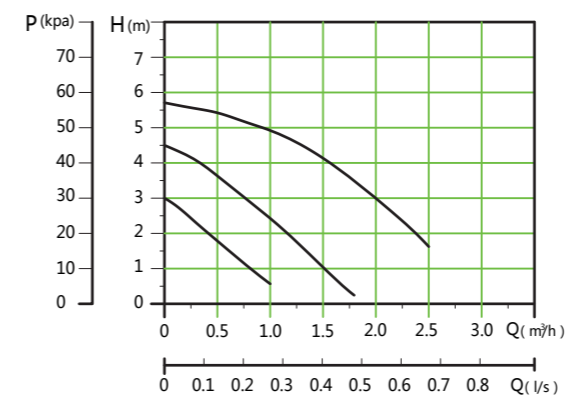
◆ GPD15-4S

Model	Speed	Power(W)	Current(A)
GPD15-4S	III	65	0.28
	II	50	0.22
	I	32	0.15



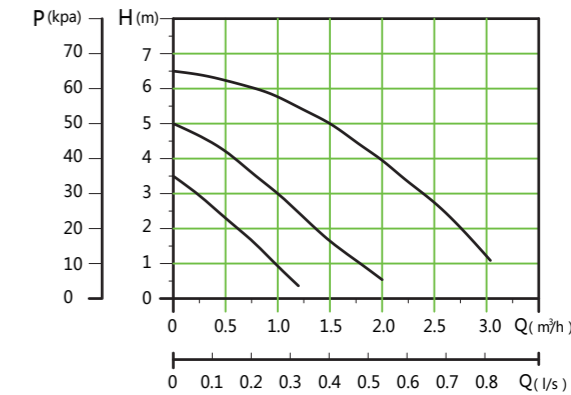
◆ GPD15-5S

Model	Speed	Power(W)	Current(A)
GPD15-5S	III	85	0.4
	II	60	0.3
	I	40	0.22



◆ GPD15-6S

Model	Speed	Power(W)	Current(A)
GPD15-6S	III	100	0.45
	II	70	0.35
	I	55	0.25



◆ GPD15-7S

Model	Speed	Power(W)	Current(A)
GPD15-7S	III	130	0.6
	II	110	0.52
	I	90	0.42

产品安装 Installation

必须轴向水平且排气阀垂直向上安装

The axial direction of pump must be parallel to the ground and the vent valve should be installed vertically.

终端用户使用不得将阀帽拧紧

The user should not tighten the nut of valve.

必须由专业人员按用电规范正确安装

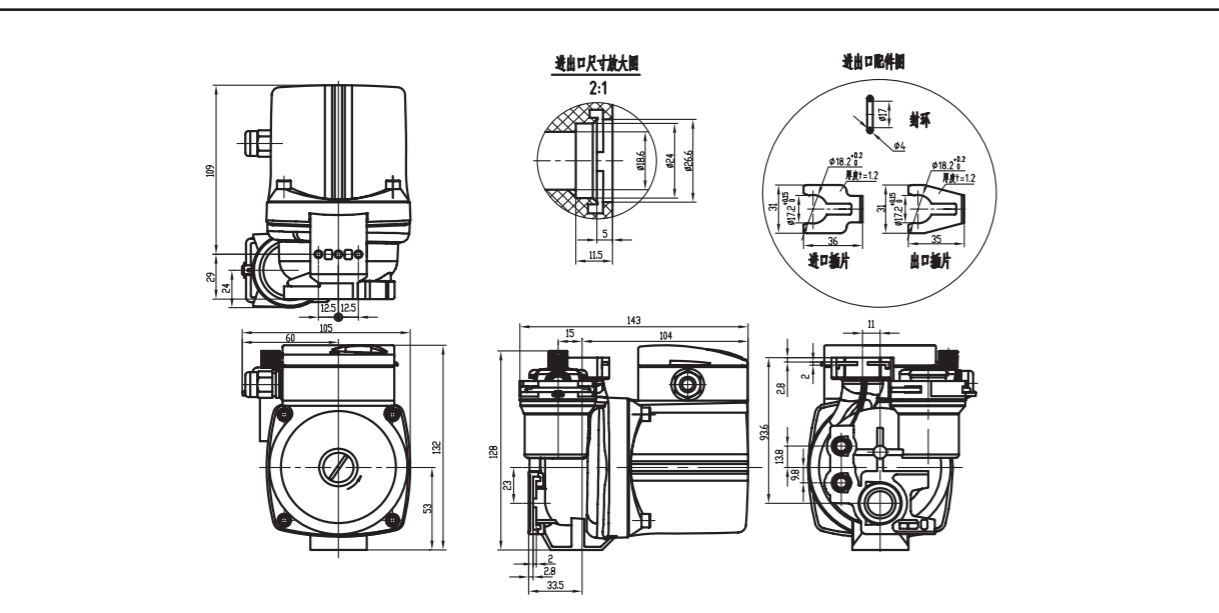
It should be correctly installed by professional person.

技术数据 Technical data

MODEL

产品型号

GPD15-xS-Z027

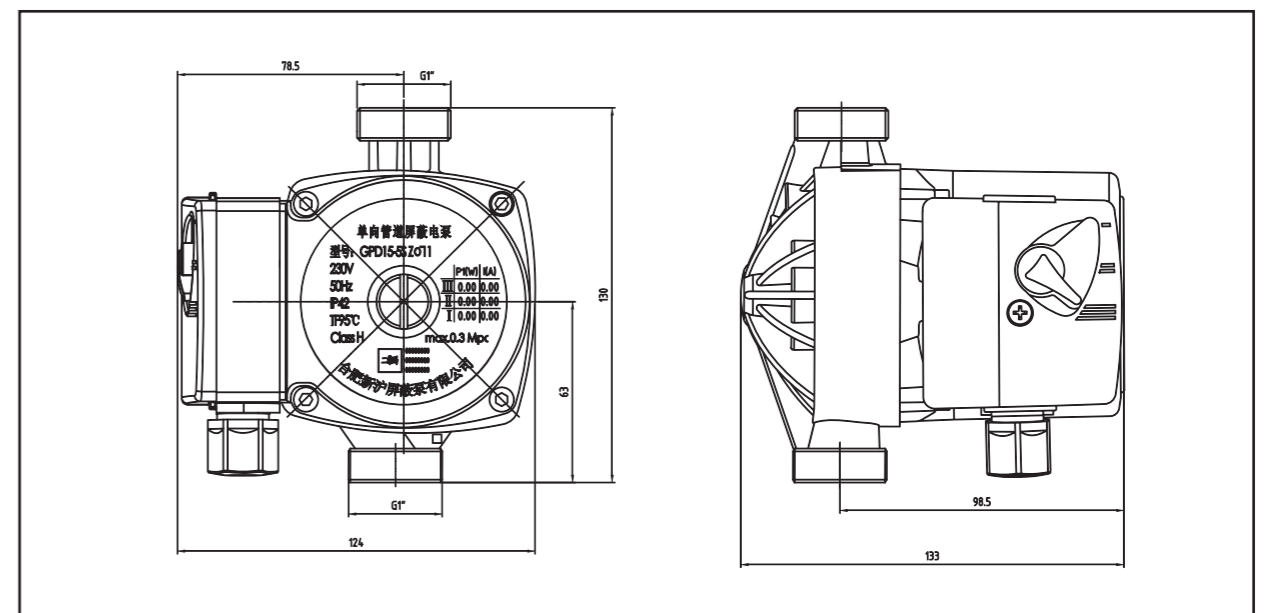


序号 S/N	规格型号 Model	电压/频率 U(V)/f(Hz)	档位 Speed	流量 Q(m³/h)	扬程 H(m)	功率 P(W)	电流 I(A)	备注 Remark
1	GPD15-4S Z027	230/50	III	2.0	4.0	65	0.28	所有值为最大值 All values are maximum
			II	1.2	3.0	50	0.22	
			I	0.8	2.0	32	0.15	
	GPD15-5S Z027	230/50	III	2.2	5.0	85	0.40	
			II	1.5	4.0	60	0.30	
			I	1.0	2.5	40	0.22	
	GPD15-6S Z027	230/50	III	2.5	5.7	100	0.45	
			II	1.8	4.5	70	0.35	
			I	1.0	2.5	55	0.25	
GPD15-7S Z027	230/50	III	2.8	6.5	130	0.60		
		II	2.0	5.0	110	0.52		
		I	1.2	3.5	90	0.42		

MODEL

产品型号

GPD15-xS-Z071

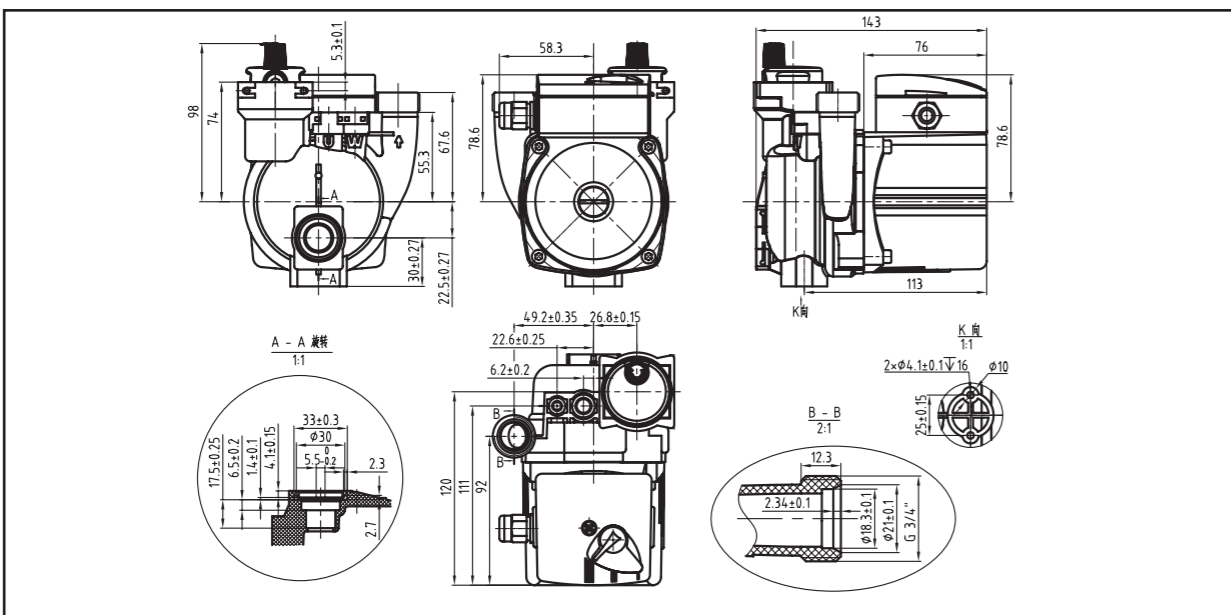


序号 S/N	规格型号 Model	电压/频率 U(V)/f(Hz)	档位 Speed	流量 Q(m³/h)	扬程 H(m)	功率 P(W)	电流 I(A)	备注 Remark
3	GPD15-4S Z071	230/50	III	2.0	4.0	65	0.28	所有值为最大值 All values are maximum
			II	1.2	3.0	50	0.22	
			I	0.8	2.0	32	0.15	
	GPD15-5S Z071	230/50	III	2.2	5.0	85	0.40	
			II	1.5	4.0	60	0.30	
			I	1.0	2.5	40	0.22	
	GPD15-6S Z071	230/50	III	2.5	5.7	100	0.45	
			II	1.8	4.5	70	0.35	
			I	1.0	2.5	55	0.25	
GPD15-7S Z071	230/50	III	2.8	6.5	130	0.60		
		II	2.0	5.0	110	0.52		
		I	1.2	3.5	90	0.42		

MODEL

产品型号

GPD15-xS-Z106

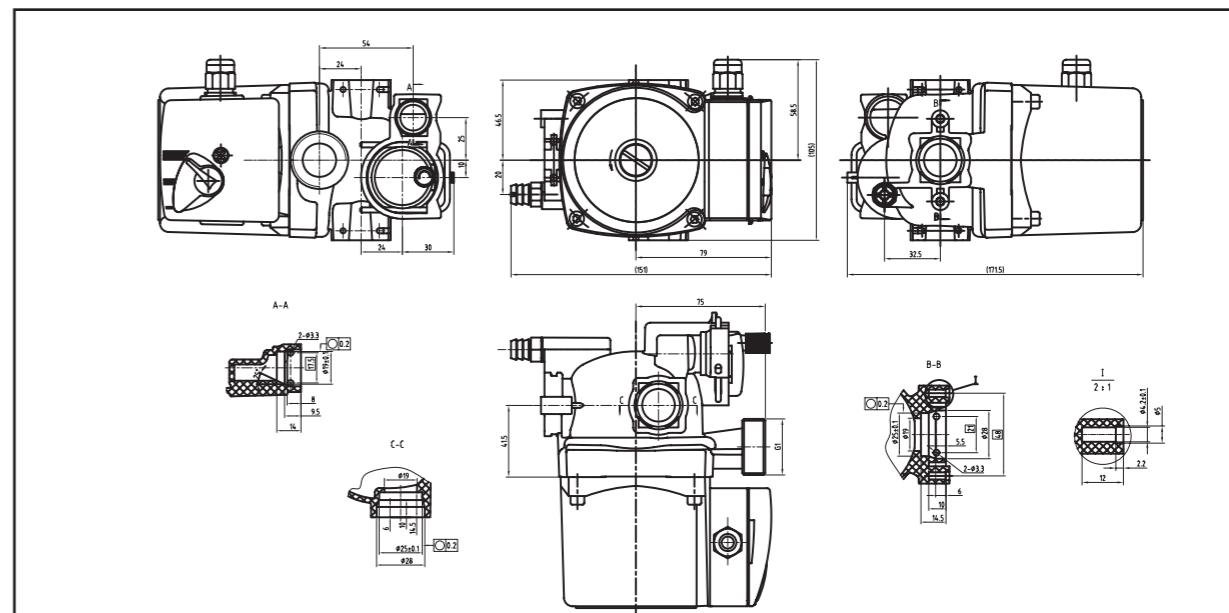


序号 S/N	规格型号 Model	电压/频率 U(V)/f(Hz)	档位 Speed	流量 Q(m³/h)	扬程 H(m)	功率 P(W)	电流 I(A)	备注 Remark
5	GPD15-4S Z106	230/50	III	2.0	4.0	65	0.28	所有值为最大值 All values are maximum
			II	1.2	3.0	50	0.22	
			I	0.8	2.0	32	0.15	
	GPD15-5S Z106	230/50	III	2.2	5.0	85	0.40	
			II	1.5	4.0	60	0.30	
			I	1.0	2.5	40	0.22	
	GPD15-6S Z106	230/50	III	2.5	5.7	100	0.45	
			II	1.8	4.5	70	0.35	
			I	1.0	2.5	55	0.25	
GPD15-7S Z106	230/50	III	2.8	6.5	130	0.60		
		II	2.0	5.0	110	0.52		
		I	1.2	3.5	90	0.42		

MODEL

产品型号

GPD15-xS-Z108



序号 S/N	规格型号 Model	电压/频率 U(V)/f(Hz)	档位 Speed	流量 Q(m³/h)	扬程 H(m)	功率 P(W)	电流 I(A)	备注 Remark
2	GPD15-4S Z108	230/50	III	2.0	4.0	65	0.28	所有值为最大值 All values are maximum
			II	1.2	3.0	50	0.22	
			I	0.8	2.0	32	0.15	
	GPD15-5S Z108	230/50	III	2.2	5.0	85	0.40	
			II	1.5	4.0	60	0.30	
			I	1.0	2.5	40	0.22	
	GPD15-6S Z108	230/50	III	2.5	5.7	100	0.45	
			II	1.8	4.5	70	0.35	
			I	1.0	2.5	55	0.25	
GPD15-7S Z108	230/50	III	2.8	6.5	130	0.60		
		II	2.0	5.0	110	0.52		
		I	1.2	3.5	90	0.42		

MODEL

产品型号

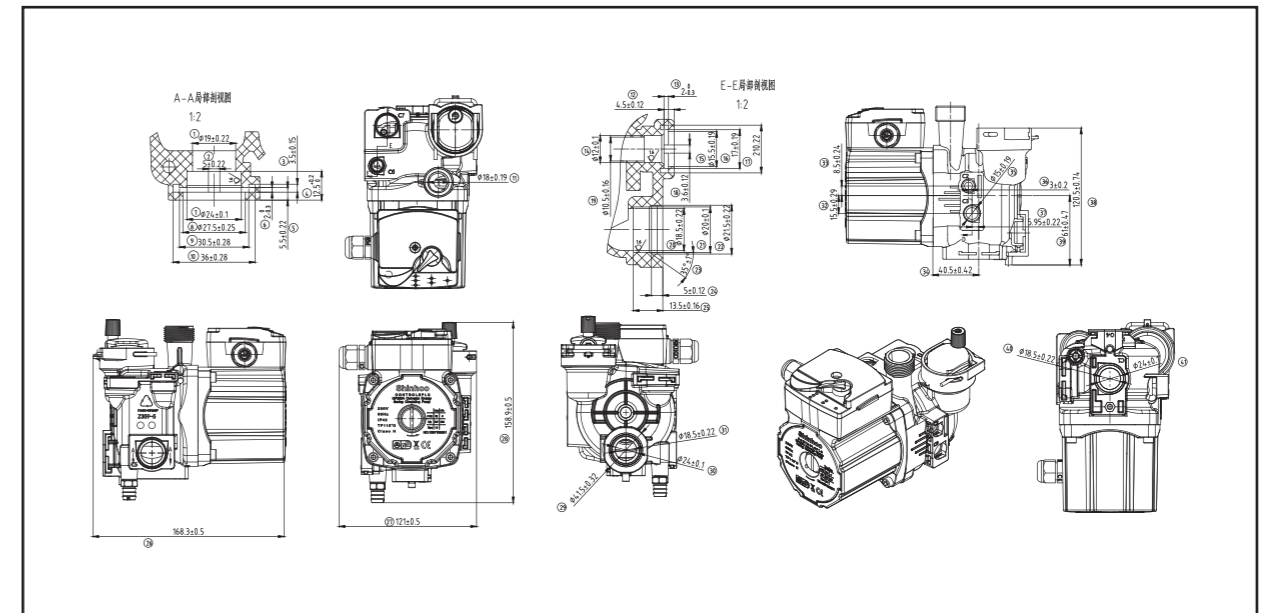
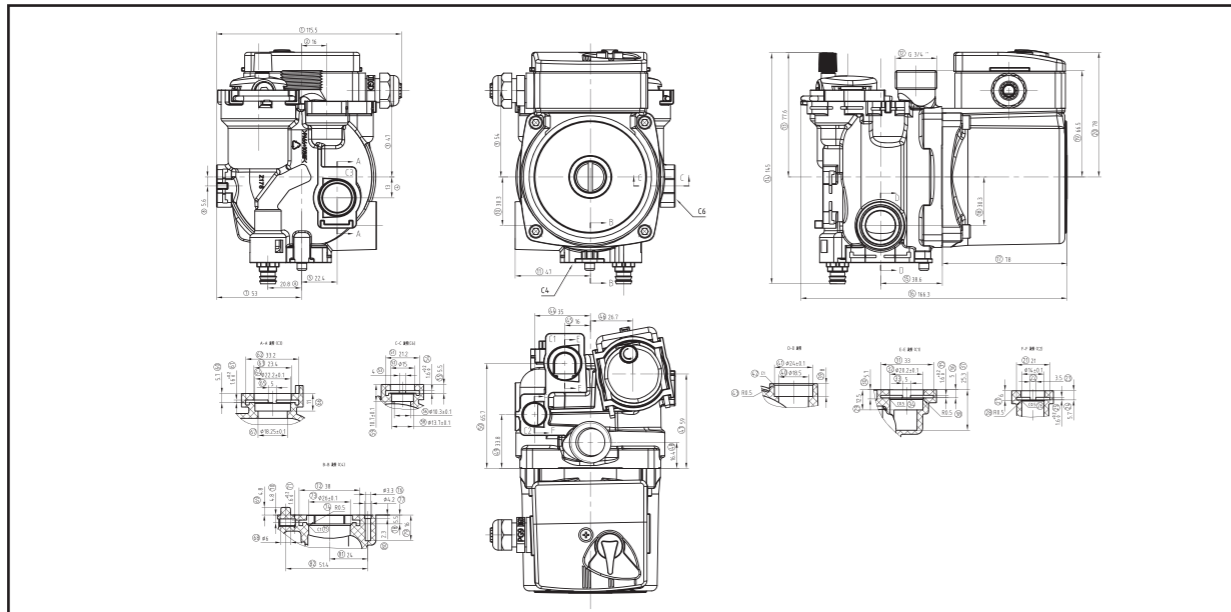
GPD15-xS-Z178



MODEL

产品型号

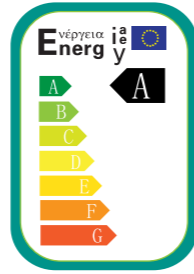
GPD15-xS-Z359



序号 S/N	规格型号 Model	电压/频率 U(V)/f(Hz)	档位 Speed	流量 Q(m³/h)	扬程 H(m)	功率 P(W)	电流 I(A)	备注 Remark
4	GPD15-5S Z178	230/50	III	2.2	5.7	85	0.40	所有值为最大值 All values are maximum
			II	1.5	4.5	60	0.30	
			I	1.0	2.5	40	0.22	
	GPD15-6S Z178	230/50	III	2.5	6.5	100	0.45	
			II	1.8	5.0	70	0.35	
			I	1.0	3.5	55	0.25	

序号 S/N	规格型号 Model	电压/频率 U(V)/f(Hz)	档位 Speed	流量 Q(m³/h)	扬程 H(m)	功率 P(W)	电流 I(A)	备注 Remark
6	GPD15-4S Z359	230/50	III	2.0	4.0	65	0.28	所有值为最大值 All values are maximum
			II	1.2	3.0	50	0.22	
			I	0.8	2.0	32	0.15	
	GPD15-5S Z359	230/50	III	2.2	5.0	85	0.40	
			II	1.5	4.0	60	0.30	
			I	1.0	2.5	40	0.22	
	GPD15-6S Z359	230/50	III	2.5	5.7	100	0.45	
			II	1.8	4.5	70	0.35	
			I	1.0	2.5	55	0.25	
GPD15-7S Z359	230/50	III	2.8	6.5	130	0.60		
		II	2.0	5.0	110	0.52		
		I	1.2	3.5	90	0.42		

新沪燃气壁挂炉节能泵 [三代] Shinhoo High Efficiency Pump GPA III



使用条件 Operation Condition

- 电源：电压230V、频率50Hz的单相交流电。

Power: AC 230V, 50Hz.

水泵启动电压和最低运行电压（转速降低）：AC175V.

The minimum start-up and operation voltage: AV175V.

样本中所有的型号可根据用户需求设计制造不同的电压、频率的产品，样本中的曲线及性能参数仅代表AC230V/50Hz的产品性能。

Different voltage and frequency is available according to customer's requirement. All performance curves in this catalogue are based on pumps with power supply of AC 230V, 50Hz.

- 最大系统压力：3bar

The max. system pressure: 3 bar.

为避免气蚀噪音对轴承的损坏，在泵进水口处应维持以下最小压力：1 bar

In order to avoid cavitation damage to the pump bearing, the minimum inlet pressure should be kept as below: 1 bar.

- 工作条件 Working condition.

环境温度 Ambient temperature: 0℃ - 70℃.

环境湿度 Ambient humidity: <95%.

循环液体温度 Liquid temperature: 2℃ - 95℃

环境温度必须始终低于液体的温度，否则在定子腔内将会出现冷凝水的现象，造成电机烧机。

Ambient temperature must be lower than liquid temperature, in order to avoid condensate water produced in the interior stator cause motor burnt.

- 输送液体：稀薄、清洁、非腐蚀性和非易爆性的液体，不含任何的固体颗粒、纤维或矿物油，泵绝对不得用于输送如柴油和汽油之类的易燃液体。

Transmission fluid: Thin, clean, non-corrosive and non-explosive liquids, without any particle, fiber or mineral oil.

Pump can not be used for transferring flammable liquids like diesel, petrol, etc.

干转：水泵轴承采用水润滑，无水状态下运转不得超过10s。

Dry running: Pump is lubricated by water, dry running must not be more than 10s.

主要零部件材质表 Bill of Main Material

No.	零部件名称 Parts Name	材质 Material
1	泵体 Pump Housing	工程塑料 Engineering Plastic
2	叶轮 Impeller	工程塑料 Engineering Plastic
3	轴承 Bearing	陶瓷 Ceramic
4	推力轴承 Thrust Bearing	浸渍石墨 Impregnated Graphite
5	轴承座 Bearing Base	不锈钢 304 Stainless Steel
6	定子屏蔽套 Shield Cover	不锈钢 304 Stainless Steel
7	衬垫 Gasket	橡胶 Rubber EPDM
8	盒座 Box Holder	工程塑料 Engineering Plastic
9	盒盖 Box Lid	工程塑料 Engineering Plastic

- 产品具备PWM控制（数字低电压脉宽调制信号）：

方波PWM信号设计频率范围：40Hz~4000Hz；

PWM输入信号（PWM IN）是用来给定速度指令，通过调节PWM占空比来调节速度指令；

PWM输出信号（PWM OUT）为泵的反馈信号，PWM频率固定于75Hz。

Control principle: Under PWM control mode the pump is controlled by PWM (Pulse Width Modulation) signal

Designed PWM signal frequency range: 40Hz to 4000Hz

PWM Input signal is used to give speed order. T adjusts speed command by adjusting the PWM duty cycle.

PWM Output signal is the feedback signal from pump and the frequency is fixed by 75Hz.

- 5+6+7+7.5四种不同扬程集成在一台水泵上

4 pump heads: 5m, 6m, 7m and 7.5m integrated in one pump

- 能效指标：EEI≤0.20-part3

Energy efficiency index: EEI≤0.20-part3

控制板 Control Plate

Light	Pump Head	Power
5	5m	33W
6	6m	39W
7	7m	52W
7.5	7.5m	60W
PWM	5m -7.5m	33W - 60W

短按按钮，可以切换水泵档位（扬程）

Press button shortly could change pump head.

能效指标: $EEl \leq 0.20$ -part3



产品安装 Installation

- 必须轴向水平且排气阀垂直向上安装

The axial direction of pump must be parallel to the ground and the vent valve should be installed vertically.

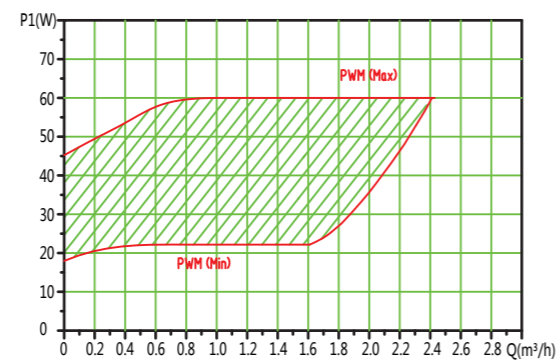
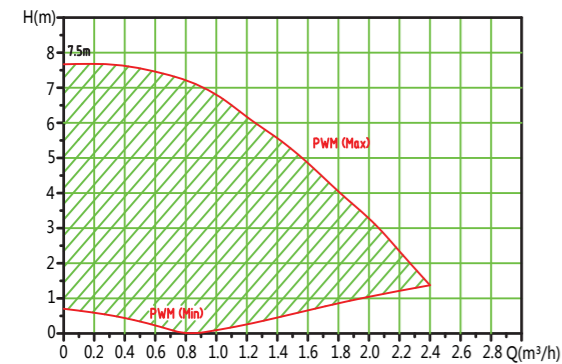
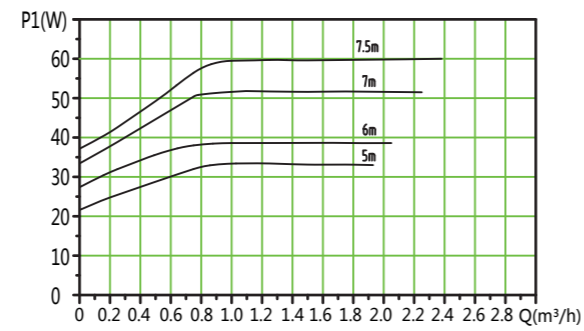
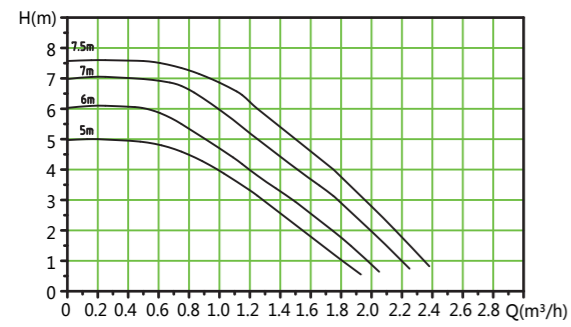
- 终端用户使用不得将阀帽拧紧

The user should not tighten the nut of vaive the nut of valve.

- 必须由专业人员按用电规范正确安装

It should be correctly installed by professional person.

产品性能曲线图 Performance Curve



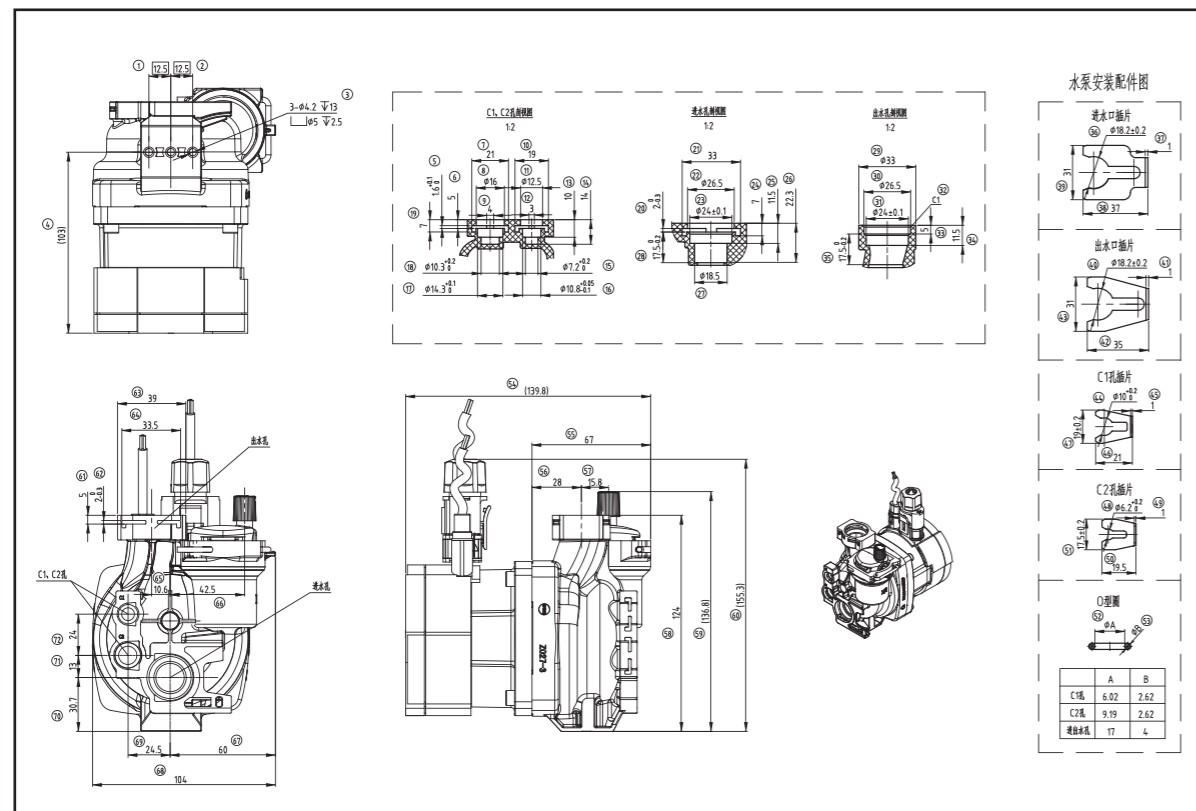
技术数据 Technical data

序号 S/N	规格型号 Model	电压/频率 U(V)/f(Hz)	档位 Speed	流量 Q(m³/h)	扬程 H(m)	功率 P(W)	电流 I(A)	备注 Remark
1	GPA15-7.5 III Z027	230/50	7.5	2.4	7.5	60	0.50	所有值为最大值 All values are maximum
			7	2.2	7	52	0.45	
			6	2.1	6	39	0.35	
			5	1.9	5	33	0.30	
2	GPA15-7.5 III Z106	230/50	7.5	2.4	7.5	60	0.50	
			7	2.2	7	52	0.45	
			6	2.1	6	39	0.35	
			5	1.9	5	33	0.30	
3	GPA15-7.5 III Z108	230/50	7.5	2.4	7.5	60	0.50	
			7	2.2	7	52	0.45	
			6	2.1	6	39	0.35	
			5	1.9	5	33	0.30	
4	GPA15-7.5 III Z178	230/50	7.5	2.4	7.5	60	0.50	
			7	2.2	7	52	0.45	
			6	2.1	6	39	0.35	
			5	1.9	5	33	0.30	
5	GPA15-7.5 III Z359	230/50	7.5	2.4	7.5	60	0.50	
			7	2.2	7	52	0.45	
			6	2.1	6	39	0.35	
			5	1.9	5	33	0.30	

MODEL

产品型号

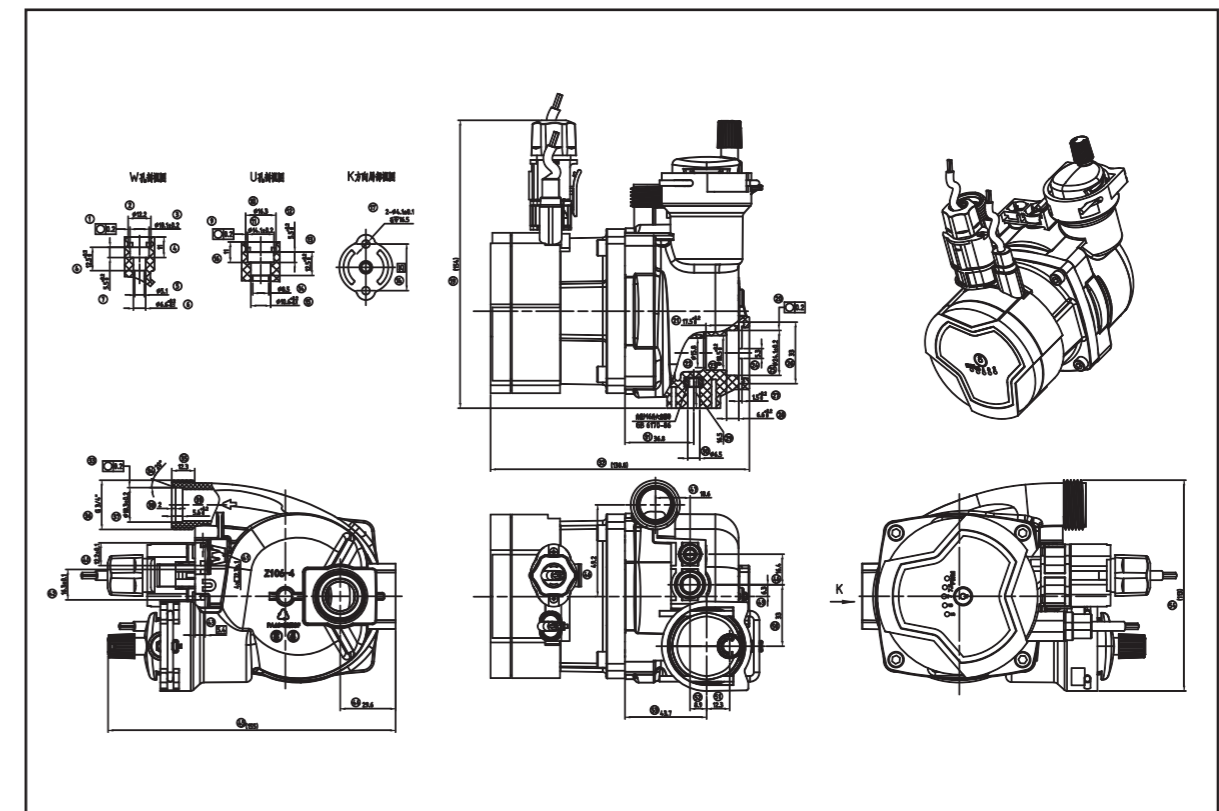
GPA15-7.5 III Z027



MODEL

产品型号

GPA15-7.5 III Z106



MODEL

产品型号

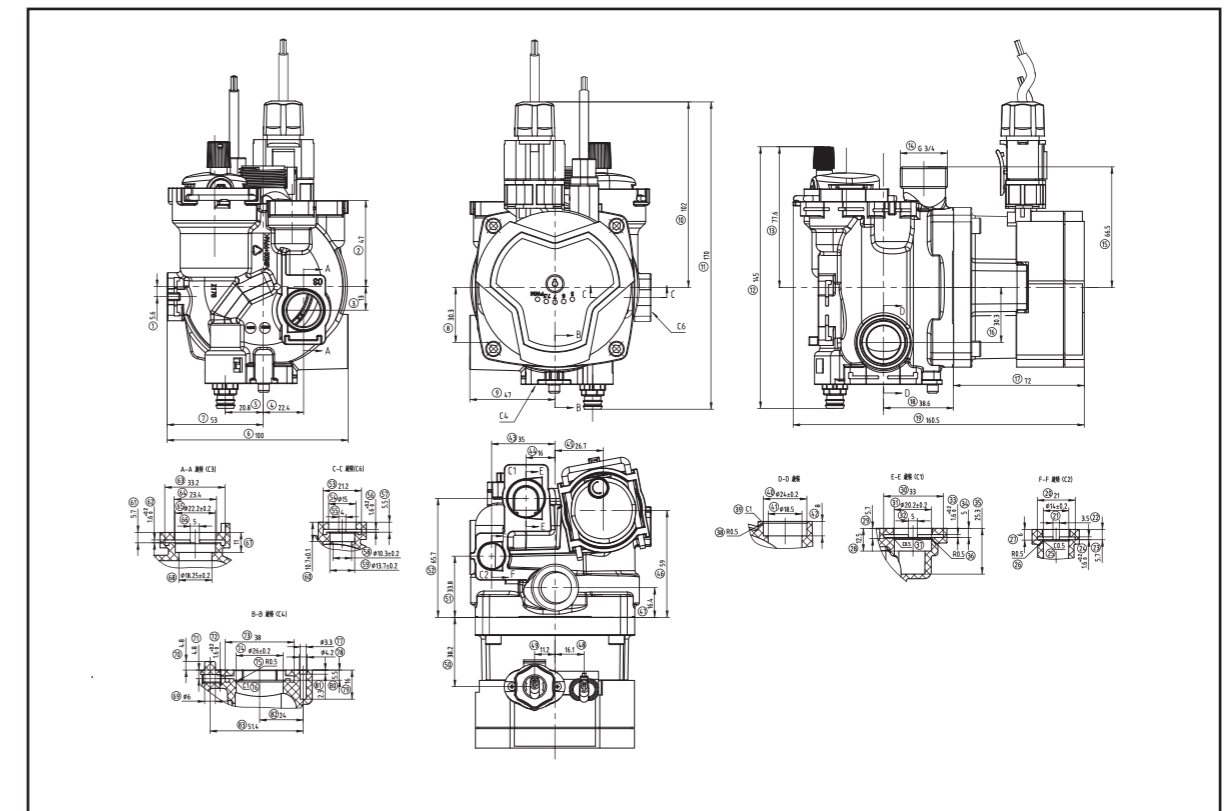
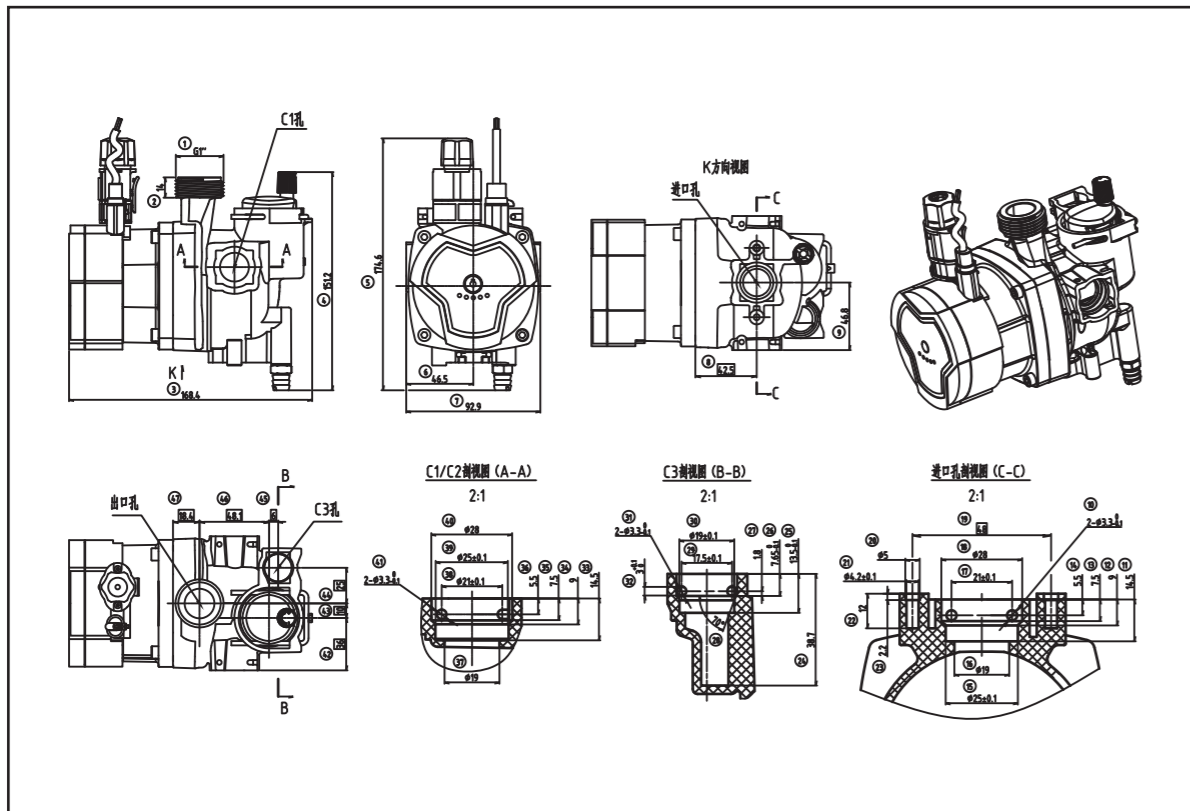
GPA15-7.5 III Z108



MODEL

产品型号

GPA15-7.5 III Z178



MODEL

产品型号

GPA15-7.5 III Z359



标准化产品和客户定制产品

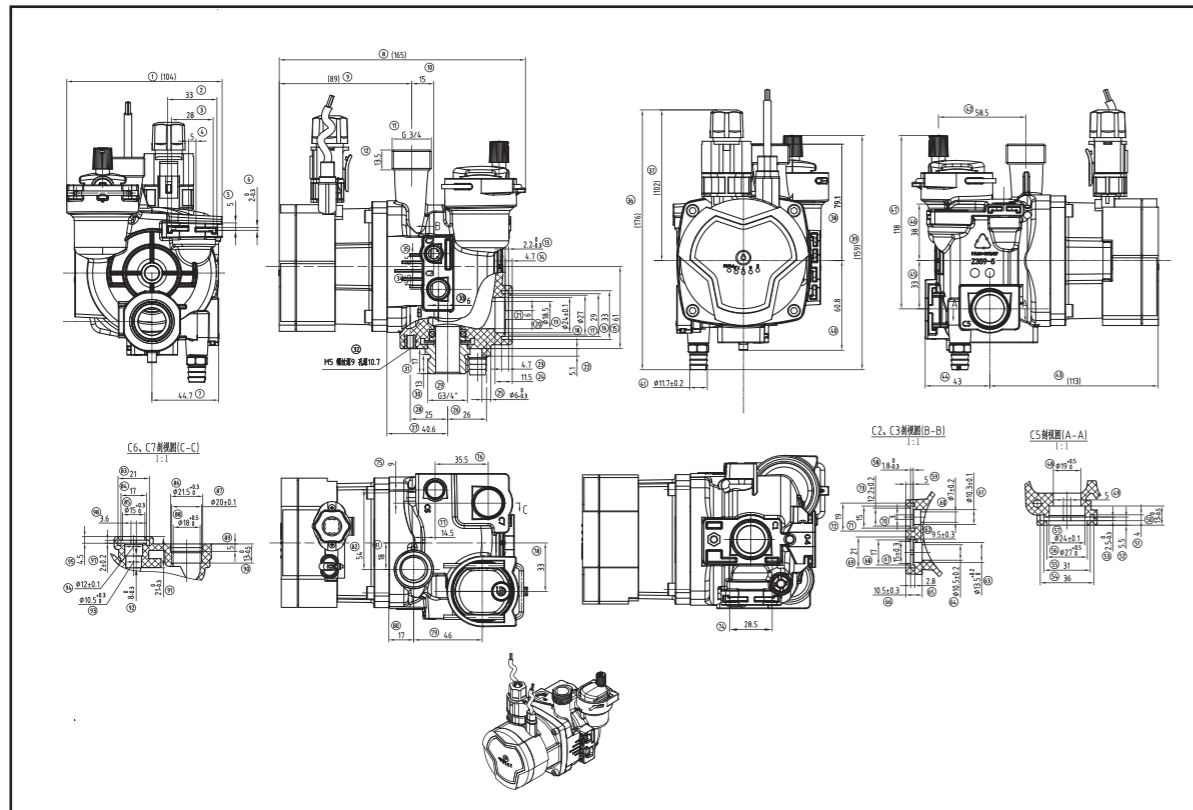
Standard product & customized product

我们对水泵、电机、电缆线、接头、控制系统等提供丰富灵活的标准组件，这些标准组件能够混合搭配上千种不同种类产品。因此，我们能提供满足您要求的标准化组件方案。

We offer a very flexible standard program of component solutions, including pumps, motors, cables, connectors, control systems, etc. These standard components can be mixed and matched to thousands of different product variants. So in most cases we are able to meet your requirements with standard solution.

如果我们的标准化产品满足不了您的产品要求时，我们可以针对您的技术要求和应用要求提供百分之百的客户定制产品以满足您的团队要求和产品要求。

If our standard solution is not workable, we could offer complete customized solution according to your technical and application request that meet your requirement.



LVD



EMC



GS



3C